

T&W
thesenfitz und wedekind

**ATELIER HAUß-
MANN**



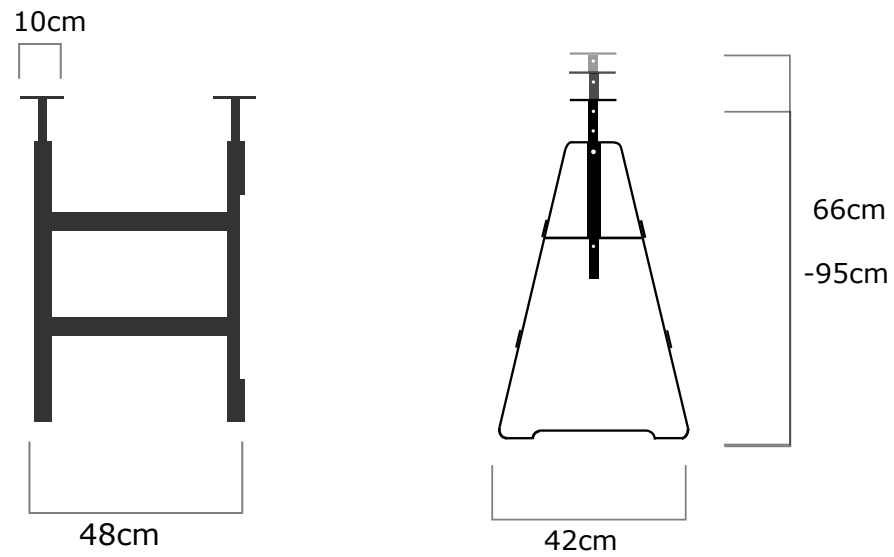
Lackaffe



Material

Affe is made from powder-coated flat steel, steel tubes and solid steel rods.

Weight 14,2kg



The same variable as **AFFE 48** but powder-coated plays LACKAFFE with the image of solid steel furniture.

design

T&W thesenfitz und wedekind

manufacturer

Atelier Haußmann

photographer

Roman Raacke

